

**T 100**  
*T-Racer*



## Safety Instructions



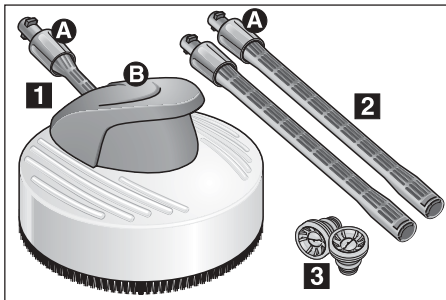
### ATTENTION!

Do not use the accessory without having read the instructions for use.

- ⚠ Please observe the safety instructions of your pressure washer.
- ⚠ The T-Racer must not be used by children.
- ⚠ Only trigger the gun of the pressure washer if the T-Racer is located on the surface to be cleaned.
- ⚠ There must be no persons in the immediate vicinity of the cleaning head.
- ⚠ Turn off the pressure washer when examining or changing the T-Racer and after the completion of the cleaning operation.
- ⚠ Maximum water temperature allowed is 104 °F/ 60 °C. Please follow the instructions for your pressure washer.

## Included Accessories

- 1** T-Racer
  - A** Union nut
  - B** Handle
- 2** Extension tubes (2x)
  - A** Union nut
- 3** High-pressure nozzles (2x, grey)



The T-Racer can be used with all Kärcher pressure washers with bajonet guns from the model year 1992 up to 1850 PSI and Kärcher gasoline pressure washers up to 2300 PSI. The T-Racer is ideally suited for the cleaning of floor and wall surfaces made of materials such as wood, concrete, tile and natural stone. It has not been designed for commercial use.

## Selection of the nozzles

For pressure washers with a pressure from 1700 psi to 2300 psi.

→ Use the **yellow** nozzles (premounted).

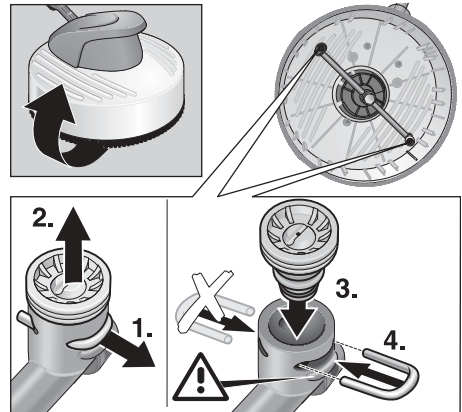
For pressure washers with a pressure from 1200 psi to 1650 psi.

→ Use the **grey** nozzles.

**i** To ensure a trouble free operation of your pressure washer you must replace the two yellow nozzles with the grey nozzles.

## Exchange of nozzles (2x)

1. Remove the clip
2. Pull out the yellow nozzle
3. Insert the grey nozzle
4. Re-insert the clip



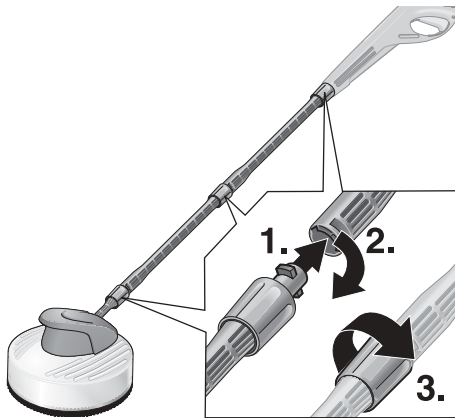
## Cleaning floor surfaces

Connect the T-Racer and the extension tubes with the trigger gun.

### Attaching the extension tubes

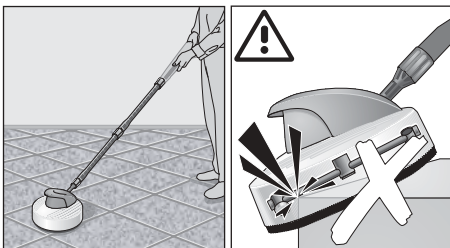
1. Press one extension tube into the bayonet catch of the trigger gun.
2. Turn it by 90° until it locks into place.
3. Tighten the union joint.

Repeat the above steps for the other two connections.



### CAUTION!

- The T-Racer is not suited for scouring or scrubbing!
- Do not run over free-standing corners!

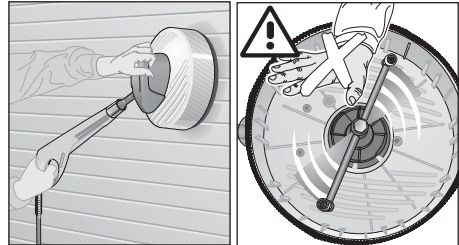


## Cleaning wall surfaces

Connect the T-Racer directly with the trigger gun.

⚠ Always hold the T-Racer with both hands during the cleaning of walls.

Do not reach under the edge of the T-Racer while the device is in operation.



## Kärcher Customer Support USA

Call: 1-800-537-4129 for help  
or visit our website:  
[www.karcher-usa.com](http://www.karcher-usa.com)

## Kärcher Customer Service CDN

Call: 1-800-465-4980 for help  
or visit our website:  
[www.karcher.ca](http://www.karcher.ca)